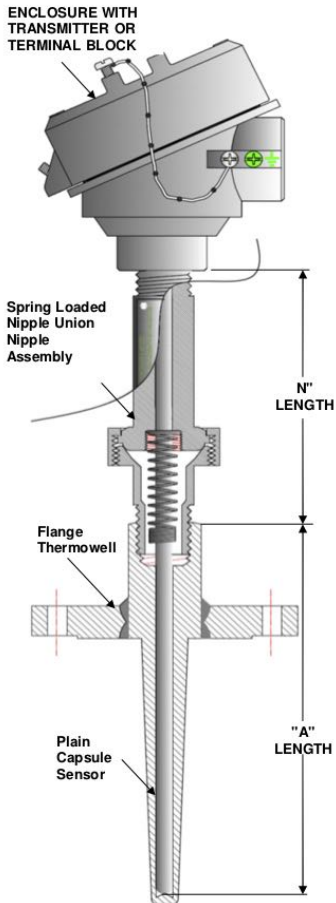


Explosion Proof Temperature Assembly TX400



The TX400 series ATEX and IECEx approved temperature assemblies incorporate a Thermocouple Head and a head mounted (hockey puck) temperature transmitter or a 6 post ceramic block. The sensor can be from any manufacturer and may include any thermowell (flanged or threaded). The nipple union assembly is then fitted to Magwell Model 1010 Thermocouple Head (Aluminum or SS316). Any model head mounted (hockey puck) temperature transmitter that has less than 3 watts power dissipation or a 6 post terminal block is mounted in the Thermocouple Head to complete the approved temperature assembly. See below for ordering information.



Model	Description
TX300	General Purpose
TX301	ATEX & IECEx Approved
Code	Sensor Description
J	Type J Thermocouple, Class 1, DIN/EC 584-2-1992
K	Type K Thermocouple, Class 1, DIN/EC 584-2-1992
T	Type T Thermocouple, Class 1, DIN/EC 584-2-1992
E	Type E Thermocouple, Class 1, DIN/EC 584-2-1992
R	Type R Thermocouple, Class 1, DIN/EC 584-2-1992
S	Type S Thermocouple, Class 1, DIN/EC 584-2-1992
A	100 Ohm Platinum Resistance Sensor, Class A, DIN/EC 751-1985, 3 Wire
B	100 Ohm Platinum Resistance Sensor, Class B, DIN/EC 751-1985, 3 Wire
C	100 Ohm Platinum Resistance Sensor, Class A, DIN/EC 751-1985, 4 Wire
X	To be specified
Code	Number of Elements
1	Single Element
2	Dual Element
Code	Nipple Union Nipple Assembly ("N" Length)
2	2" General Purpose Only
3	3" General Purpose Only
4	4"
5	5"
6	6"
7	7"
Code	Transmitter/Indicator Option
8080KN	Digital Temperature Indicator
8080PR	Indicating Temperature Switch with Dual Relays
8080HT	Indicating Temperature Transmitter with Hart
XXXX	Any Other make
Code	Enclosure
A	Die cast Aluminum, Epoxy Painted
S	SS 316, Electro Polished
Code	Sensor Conduit Entry
34	3/4" NPT
12	1/2" NPT
20	M20X1.5P
25	1/2" BSP
34	3/4" BSP
Typical Model Number	





This page has been internationally left blank

Magwell LLC
537 Cajundome Boulevard, Suite 111
Lafayette, LA 70506

Rev-05.01